

# 2MP Indoor Pan & Tilt Wi-Fi Camera

## Uho-S2E



## Features

- High quality image with 2MP, 1/3"CMOS sensor
- 2MP (1920\*1080)@25/20fps; 720P (1280\*720) @25/20fps
- Ultra 265, H.265, H.264
- Built-in Mic & Speaker, support two-way audio, offer better interaction
- IR night vision, up to 10m (33ft) IR distance
- Support 512 G Micro SD card
- Wi-Fi connection and easy installation

## Specifications

Model	Uho-S2E
Camera	
Max Resolution	2 MP
Sensor	1/3.0"CMOS

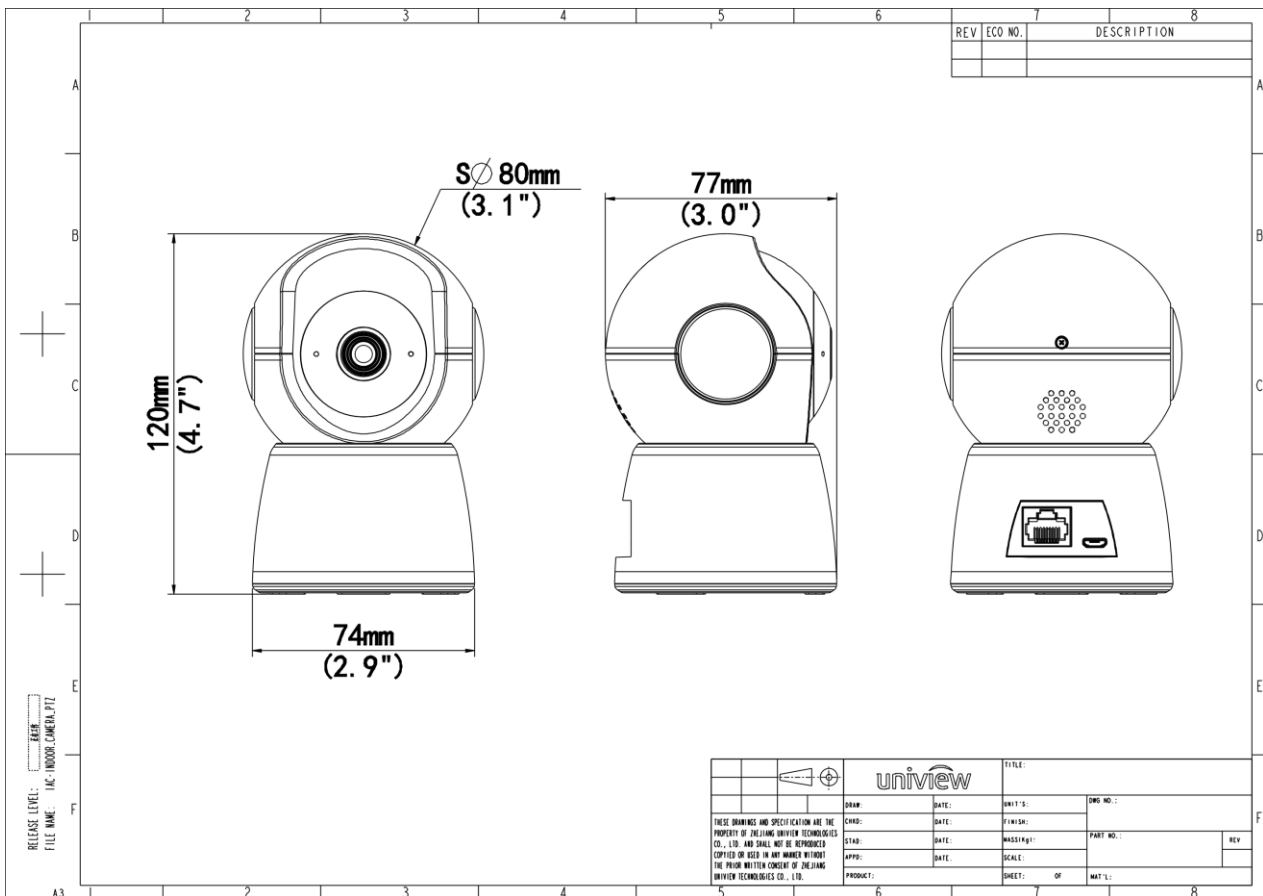
Min. Illumination	Colour: 0.02 lux (F2.0, AGC ON) 0 lux with IR on
Day/Night	IR-cut filter with auto switch (ICR)
Shutter	Auto/Manual, 1/4 to 1/100000 s
S/N	>52 dB
WDR	DWDR
<b>Lens</b>	
Focal Length	4.0 mm
Iris Type	Fixed
Iris	F2.0
Field of View (H)	80.2 °
Field of View (V)	42.9 °
Field of View (D)	86.0 °
<b>Illuminator</b>	
Supplemental Light	IR
Illumination Distance (IR)	Up to 10m (33ft)
Wavelength	850 nm
IR On/Off Control	Auto/Manual
<b>Video</b>	
Video Compression	Ultra 265, H.265, H.264
Frame Rate	Main Stream: 2MP (1920*1080), Max 25fps; 720P (1280*720), Max 25fps; Sub Stream: 640*360, Max 25fps; 2CIF(704*288), Max 25fps; CIF(352*288), Max 25fps;
Video Bit Rate	128 Kbps to 2048 Kbps
U-code	Support
OSD	Up to 2 OSDs
Privacy Mask	Support (only NVR)
ROI	Up to 8 areas
Video Stream	Dual Streams
<b>Image</b>	
White Balance	Auto, Outdoor, Fine Tune, Sodium Lamp, Locked, Auto2
Digital Noise Reduction	2D/3D DNR

Smart IR	Support
Flip	Normal, Flip Vertical, Flip Horizontal, 180°
Dewarping	N/A
HLC	N/A
BLC	N/A
Defog	Digital Defog
<b>Events</b>	
Basic Detection	Human Body Detection, Motion Detection, Audio Detection
General Function	IP Address Filtering, Access Policy, ARP Protection, RTSP Authentication, User Authentication, HTTP Authentication
<b>Intelligent</b>	
Auto Tracking	Support
<b>Audio</b>	
Audio Compression	G.711U, G.711A
Audio Bitrate	64 Kbps
Two-way Audio	Support
Suppression	Support
Sampling Rate	8 kHz
<b>Storage</b>	
Edge Storage	Micro SD, up to 512 GB
Network Storage	ANR
<b>Network</b>	
Wi-Fi	2.4G Wi-Fi (IEEE802.11b/g/n), built-in antenna
Protocols	IPv4, TCP, UDP, DHCP, RTSP, DNS, DDNS, NTP, HTTP
Compatible Integration	API
Client	Uniarch Client, Uniarch app
Web Browser	Plug-in required live view: IE 10+, Chrome 45+, Firefox 52+, Edge 79+
<b>Wi-Fi</b>	
Wireless Standards	IEEE802.11b/g/n
Frequency Range	2.4 GHz to 2.4835 GHz
Channel Bandwidth	20 MHz Support

Modulation Mode	802.11b: CCK, QPSK, BPSK 802.11g/n: OFDM/HT
Wi-Fi Security	64/128-bit WEP, WPA-PSK/WPA2-PSK
Transmit Power	802.11b: 17±1.5 dBm@11 Mbps 802.11g: 14±1.5 dBm@54 Mbps 802.11n: 12.5±1.5 dBm@150 Mbps
Receive Sensitivity	802.11b: -90 dBm@11 Mbps (Typical) 802.11g: -75 dBm@54 Mbps (Typical) 802.11n: -74 dBm@150 Mbps (Typical)
Transmission Rate	802.11b: 11 Mbps 802.11g: 54 Mbps 802.11n: up to 150 Mbps
<b>PTZ</b>	
Pan Range	0° ~ 340°
Pan Speed	17 %s ~ 50 %s Preset speed: 50 %s
Tilt Range	-5° ~ 55°
Tilt Speed	17 %s ~ 50 %s Preset speed: 50 %s
Number of Presets	20
<b>Interface</b>	
Audio I/O	N/A
Alarm I/O	N/A
Built-in Mic	Support
Built-in Speaker	Support
WIFI	Support
Network	1 × RJ45 10 M/100 M Base-TX Ethernet
<b>Certification</b>	
EMC	CE-EMC (EN 55032, EN 61000-3-3, EN IEC 61000-3-2, EN 55035) FCC (FCC 47 CFR part15 B)
RF	FCC ID (FCC CFR 47 part15 C) CE RED (EN 301 489-1, EN 301 489-17, EN 300 328, EN 62311)
Safety	CE LVD (EN 62368-1)
Environment	CE-RoHS (2011/65/EU;(EU)2015/863); WEEE (2012/19/EU);
<b>General</b>	

Power	DC 5V/1.5A Micro USB interface
Dimensions	Φ80 x 120mm (Ø3.1" x 4.8")
Weight	0.18kg(0.40lb)
Working Environment	-10°C~55°C(-14 F ~ 131 F), Humidity: ≤95% RH (non-condensing)
Storage Environment	-10°C~55°C(-14 F ~ 131 F), Humidity: ≤95% RH (non-condensing)
Reset Button	Support
LED Indicator	1, red/blue

## Dimensions



### Zhejiang Uniview Technologies Co., Ltd.

No. 369, Xietong Road, Xixing Sub-district, Binjiang District, Hangzhou City, 310051, Zhejiang Province, China (Zhejiang) Pilot Free Trade Zone, China

Email: [overseasbusiness@uniview.com](mailto:overseasbusiness@uniview.com); [globalsupport@uniview.com](mailto:globalsupport@uniview.com)

<http://www.uniview.com>

©2023-2025 Zhejiang Uniview Technologies Co., Ltd. All rights reserved.

\*Product specifications and availability are subject to change without notice.

\*Despite our best efforts, technical or typographical errors may exist in this document. Uniview cannot be held responsible for any such errors and reserves the right to change the contents of this document without prior notice.